

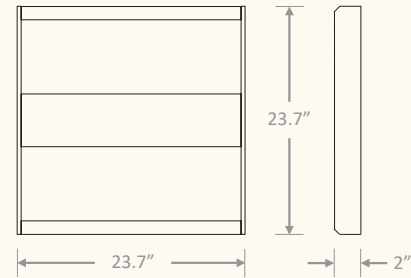


CT-CB22-LKFS

2X2 CENTER BASKET

LUMEN & KELVIN SELECTABLE

PROJECT	TYPE	CATALOG#



Model	Size (inches) & Weight (lbs)			
	L (in)	W (in)	H (in)	Weight
CT-CB22-4L-LKFS	23.7	23.7	2	7

OPTICAL

- PMMA lens.
- Field selectable 3500k (warm/neutral white), 4000k (neutral white) and 5000k (cool white) color temperatures*.
- Provides a range of 3,000 to 4,300 nominal lumens.
- Long-life LEDs provide 196,000 hours of operation with at least 70% of initial lumen output (L70).
- Color rendering index > 80%.
- Uniform illumination with no visible LED pixilation.

HOUSING

- Premium powder-coat, steel, white housing.

CODE COMPLIANCE

- cULus listed for damp locations and insulated ceilings.
- UL listed for maximum of 4, 12 AWG through branch circuit conductor.
- DLC listed.
- Low risk of flicker (per IEEE 1789-2015) at 100% light output level.
- Complies with FCC part 15, class A.

ORDERING INFORMATION

Example: CT-CB22-4L-LKFS-EM13

SERIES	NOMINAL LUMEN OUTPUT (SELECTABLE)		KELVIN SELECTABLE	EXTERNALLY INSTALLED EMERGENCY DRIVERS*	DIMMER
CT-CB22	4L	4,000 nominal lumens	LKFS	EM5 5W emergency driver EM10 10W emergency driver EM13 13W emergency driver Blank No emergency driver	DWS-010T DWS-010D IP710-DLZ

*See emergency driver compatibility list.

ELECTRICAL

- Operating temperature (ambient): -25°C to 50°C (-13°F to 122°F).
- Universal 120-277V AC voltage (50-60Hz) is standard.
- 0-10VDC, continuous dimming capability is standard.
- Emergency driver option available.
- Type IC rated for insulated ceilings.
- Inherently protected.
- Input transient surge protection = 2.5kV.
- Power factor > 0.90 ; Total harmonic distortion < 20%.

MOUNTING

- Recessed mounting in grid ceilings is standard.
- Standard earthquake clips provide secure installation in grid ceilings.
- Optional surface mounting kit provides attachment to solid surfaces.
- Optional flange mounting kits provide for recessed installation on plaster or other hard ceilings.
- Optional cable mount kit provides luminaire suspension.

WARRANTY

- 5 year warranty on all electronics and housing.

* Default kelvin temperature = 4000k.

** Default power setting = highest lumen output.

***L70 & L90 hours are IES TM-21-11 calculated hours.



CT-CB22-LKFS

2X2 CENTER BASKET

LUMEN & KELVIN SELECTABLE

ACCESSORIES (ORDER SEPARATELY)

Dimmer Options

- 10-DWS-010-T = 0-10V dimmer, toggle switch
- 10-DWS-010-D = 0-10V dimmer, decoration switch
- 10-IP710-DLZ = 0-10V dimmer, button switch

Remote Mount Emergency Driver Options

- BLEM-CP-5C = 5W emergency driver - EM5
- BLEM-CP-10C = 10W emergency driver - EM10
- BLEM-CP-13C = 13W emergency driver - EM13

ELECTRICAL DATA

SERIES	MEASUREMENTS	LOW LUMENS			MID LUMENS			HIGH LUMENS		
		3500K	4000K	5000K	3500K	4000K	5000K	3500K	4000K	5000K
CT-CB22-4L-LKFS	Lumens	3073	3176	3120	3640	3772	3649	4220	4370	4196
	Watt	22	22	22	27	27	27	32	31	32
	Efficacy	137	144	139	134	142	134	131	140	131
	Input Current (A)	120V = 0.18	120V = 0.18	120V = 0.18	120V = 0.23	120V = 0.23	120V = 0.23	120V = 0.27	120V = 0.26	120V = 0.27
240V = 0.09		240V = 0.09	240V = 0.09	240V = 0.11	240V = 0.11	240V = 0.11	240V = 0.13	240V = 0.13	240V = 0.13	
277V = 0.08		277V = 0.08	277V = 0.08	277V = 0.10	277V = 0.10	277V = 0.10	277V = 0.12	277V = 0.11	277V = 0.12	

PHOTOMETRICS

CT-CB22-4L-LKFS

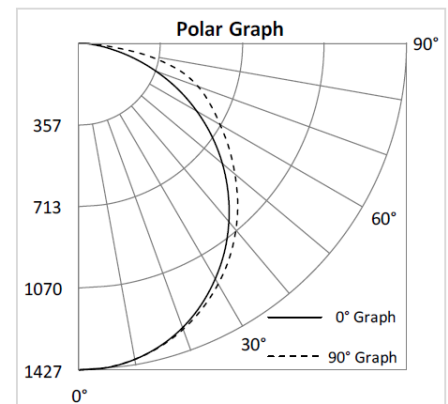
Luminaire Data

Description	Center Basket 2X2 4L 5K - LKFS
Total Lumens	4,205
Input Wattage	32
Efficacy (lm/W)	131
Spacing Criterion (0-180°)	1.24
Spacing Criterion (90-270°)	1.28

Photometric calculated at 5000k- high lumens setting

Zonal Lumen Summary

Zone	Lumens	%Fixt
0-20°	521	12.4%
0-30°	1,104	26.3%
0-40°	1,807	43.0%
20-50°	2,017	48.0%
40-70°	1,936	46.0%
0-60°	3,206	76.2%
0-80°	4,102	97.5%
0-90°	4,202	99.9%
90-180°	3	0.1%
0-180°	4,205	100.0%





CT-CB22-LKFS

2X2 CENTER BASKET

LUMEN & KELVIN SELECTABLE

COMPATIBLE EMERGENCY DRIVERS

Emergency Driver Part Number	EM5		EM10		EM13		
	MODEL	WATTS	EM LUMENS	WATTS	EM LUMENS	WATTS	EM LUMENS
CT-CB22-4L-LKFS		5.0	755	10.7	1617	13.7	1940

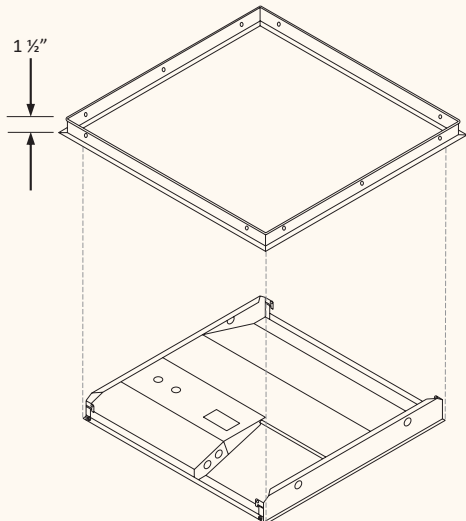
Note: Suitable for ambient temperature above 10°C(50°F).

COMPATIBLE DIMMERS AND CONTROLS

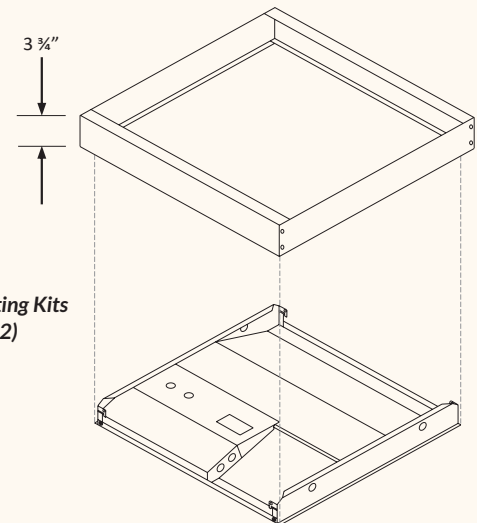
MANUFACTURER	MODEL NUMBER	DIMMER RANGE	LOAD SWITCHING CAPACITY
Best Lighting	DWS-010V-T	10%-100%	600W
Best Lighting	DWS-010V-D	10%-100%	600W
Leviton	IP710-LFZ	10%-100%	1200W
Lutron	DVSTV	10%-100%	450W

MOUNTING MEANS - ORDER SEPARATELY

- Optional Surface Mounting Kit (SMKT-22) mounts below the ceilings.
- Optional flange mounting kits provide for recessed installation on plaster or other hard ceilings. Attached Flange Mount Kit (FLANGEKIT22-ET) to ceiling joists or other stationary structures, and the panel is mounted flush to the ceiling.
- Optional cable mounting kits provide additional security, as well as suspended mounting. Attach one end of the Cable Mount Kit (PNL-CM) to luminaire earthquake clips using spring clips, and attach the other end to stationary structures using the adjustable, locking ceiling attachment (see picture below right).



Flange Mount Kit
(FLANGEKIT22-ET)



Surface Mounting Kits
(SMKT-22)

