

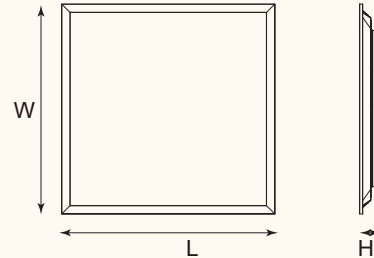
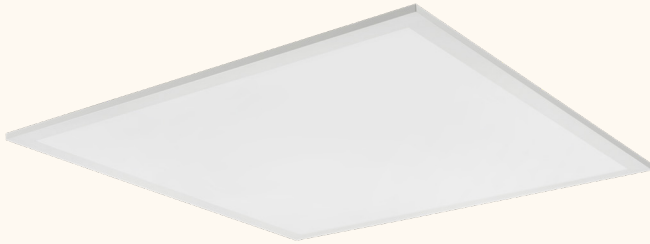


CT-PNL2X2-LKFS

2X2 BACK-LIT LED PANEL

LUMEN & KELVIN SELECTABLE

PROJECT	TYPE	CATALOG#



Model	Size (inches) & Weight (lbs)			
	L (in)	W (in)	H (in)	Weight
CT-PNL2X2-40L-LKFS-PRM	23.7	23.7	1.5	4

OPTICAL

- PMMA (Polymethyl methacrylate) LED lenses for optimal light distribution, efficiency and longevity.
- Field selectable 3500k (warm white), 4000k(neutral white) and 5000k (cool white) color temperatures*.
- Tri-Lumen selectable, outputs range from 2,700 to 4,000 nominal lumens**.
- Long-life LEDs provide 144,000 hours of operation with at least 70% of initial lumen output (L70), and 44,000 hours with at least 90% of initial lumen output (L90)***.
- Uniform illumination with no visible LED pixilation.
- Color rendering index > 80%.

HOUSING

- Aluminum frame and steel housing backplate.
- Premium powder coated white housing.

CODE COMPLIANCE

- cULus listed for damp locations and insulated ceilings.
- DLC listed.
- Flicker-free per IEEE1789-2015 (no observable adverse effects of flicker at 100% light output level).
- Complies with FCC part 15, class B.

ORDERING INFORMATION

Example: CT-PNL2X2-40L-LKFS-PRM

SERIES	MAXIMUM LUMENS	LUMEN OUTPUT/ KELVIN SELECTABLE		DLC		EMERGENCY DRIVER		DIMMER
		Lumen selectable	Kelvin selectable	PRM	Premium	Blank	No Emergency Driver	
CT-PNL2X2	40L	LKFS*	4,000/ 3,600/ 2,700lm	3500K/ 4000K/ 5000K	PRM	Premium	EM5 5W Emergency Driver	DWS-010-T DWS-010-D IP710-DLZ
			EM10 10W Emergency Driver	EM13 13W Emergency Driver				

* Field Selectable

ELECTRICAL

- Operating temperature (ambient): -20°C to 40°C (-4°F to 104°F).
- Universal 120-277V AC voltage (50-60Hz) is standard.
- 0-10VDC dimming drivers are standard.
- Input transient surge protection = 1kV.
- Optional Emergency drivers are available.
- Type IC-rated.
- PF > 0.9 ; THD < 20%.

MOUNTING

- Recessed mounting in grid ceilings is standard.
- Standard earthquake clips provide secure installation in grid ceilings.
- Optional Surface Mounting Kits (SMKT-22) and Flange Mounting Kits (FLANGEKIT22-ET) provide for installation on plaster or other hard ceilings.
- Optional Cable Mounting Kits (PNL-CMK) provide additional security, as well as suspended mounting.

WARRANTY

- 5 year warranty on all electronics and housing.

* Default kelvin temperature = 4000k.

** Default power setting = highest lumen output.

***L70 & L90 hours are IES TM-21-11 calculated hours.



CT-PNL2X2-LKFS

2X2 BACK-LIT LED PANEL

LUMEN & KELVIN SELECTABLE

ACCESSORIES (ORDER SEPARATELY)

Dimmer Option:

DWS-010-T	=	0-10V dimmer, toggle switch
DWS-010-D	=	0-10V dimmer, decoration switch
IP710-DLZ	=	0-10V dimmer, button switch

Mounting Option:

SMKT-22	=	Surface Mount Kit for 2X2 Back-lit Panel.
FLANGEKIT22-ET	=	Recessed Flange Mount Kit for 2X2 Back-lit Panel.
PNL-CM	=	Cable Mount Kit for Back-lit Panel.
PNL-JBEXT	=	Junction Box Extender for 2X2 Back-lit Panel.

ELECTRICAL DATA

Series	Measurements	LOW LUMENS			MID LUMENS			HIGH LUMENS		
		3500k	4000k	5000k	3500k	4000k	5000k	3500k	4000k	5000k
CT-PNL2X2-40L-LKFS-PRM	Lumens	2733	2802	2810	3632	3810	3743	4072	4290	4179
	Watt	20	19	20	28	27	28	32	32	32
	Efficacy	136	145	141	131	142	136	126	135	130
	Input Current (A)	120V = 0.17	120V = 0.16	120V = 0.17	120V = 0.23	120V = 0.23	120V = 0.23	120V = 0.27	120V = 0.27	120V = 0.27
240V = 0.08		240V = 0.08	240V = 0.08	240V = 0.12	240V = 0.11	240V = 0.12	240V = 0.13	240V = 0.13	240V = 0.13	
277V = 0.07		277V = 0.07	277V = 0.07	277V = 0.10	277V = 0.10	277V = 0.10	277V = 0.12	277V = 0.12	277V = 0.12	

PHOTOMETRICS

CT-PNL2X2-40L-LKFS-PRM

Luminaire Data		Zonal Lumen Summary		
Description	Premium Back Lit Panel 2X2 40L 5K - LKFS	Zone	Lumens	%Fixt
Total Lumens	4,179	0-20°	514	12.3%
Input Wattage	32	0-30°	1,098	26.3%
Efficacy (lm/W)	130	0-40°	1,810	43.3%
Spacing Criterion (0-180°)	1.3	20-50°	2,043	48.9%
Spacing Criterion (90-270°)	1.28	40-70°	1,962	46.9%
Photometrics calculated at 5000k-high lumens setting		0-60°	3,240	77.5%
		0-80°	4,087	97.8%
		0-90°	4,175	99.9%
		90-180°	4	0.1%
		0-180°	4,179	100.0%



CT-PNL2X2-LKFS

2X2 BACK-LIT LED PANEL

LUMEN & KELVIN SELECTABLE

COMPATIBLE EMERGENCY DRIVERS-INSTALLED

Emergency Driver Part Number	EM5		EM10		EM13	
	WATTS	EM LUMENS	WATTS	EM LUMENS	WATTS	EM LUMENS
CT-PNL2X2-40L-LKFS-PRM	5	650	10	1300	13	1690

COMPATIBLE DIMMERS AND CONTROLS

Manufacturer	Model Number	Dimmer Range	Load Switching Capacity
Best Lighting	DWS-010V-T	10%-100%	600W
Best Lighting	DWS-010V-D	10%-100%	600W
Leviton	IP710-LFZ	10%-100%	1200W
Lutron	DVSTV	10%-100%	450W

PLUGS AND CORDS

When ordering a cord/cord & plug, use the following suffix choices.

Example: CT-PNL2X2-40L-LKFS-PRM

Note: cord & plugs do not affect the ability to install sensors.

Part number suffix	Description	For use with
6W3	6' whip - 3 conductor (black/white/green)	Standard
6W4	6' whip - 4 conductor (black/white/green/red)	EM driver
6W5	6' whip - 5 conductor (black/white/green/purple/pink)	Dimming
6W6	6' whip - 6 conductor (black/white/green/red/purple/pink)	Dimming & EM driver

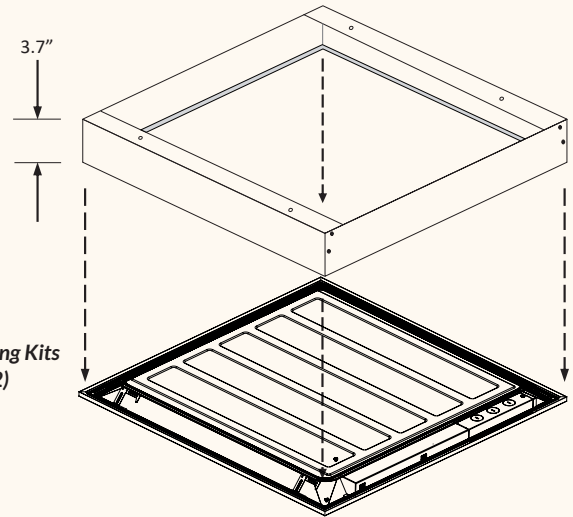


CT-PNL2X2-LKFS

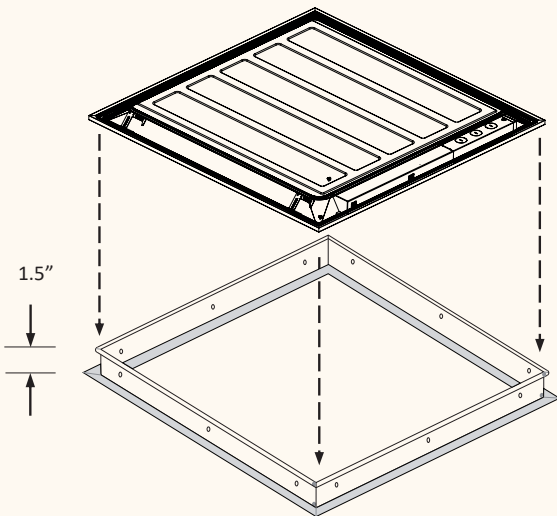
2X2 BACK-LIT LED PANEL LUMEN & KELVIN SELECTABLE

MOUNTING MEANS - ORDER SEPARATELY

- Optional Surface Mounting Kit (SMKT-22) mounts below the ceilings.
- Optional flange mounting kits provide for recessed installation on plaster or other hard ceilings. Attached Flange Mount Kit (FLANGEKIT22-ET) to ceiling joists or other stationary structures, and the panel is mounted flush to the ceiling.
- Optional cable mounting kits provide additional security, as well as suspended mounting. Attach one end of the Cable Mount Kit (PNL-CM) to luminaire earthquake clips using spring clips, and attach the other end to stationary structures using the adjustable, locking ceiling attachment (see picture below right).



Surface Mounting Kits
(SMKT-22)



Flange Mount Kit
(FLANGEKIT22-ET)

Spring Clip:
Attaches to earthquake clip

Cable Mount Kit
(PNL-CM)



Adjustable,
Locking Ceiling Attachment

Depress plunger to unlock cable

