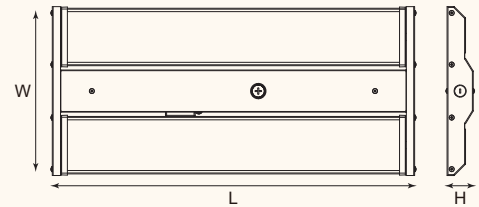
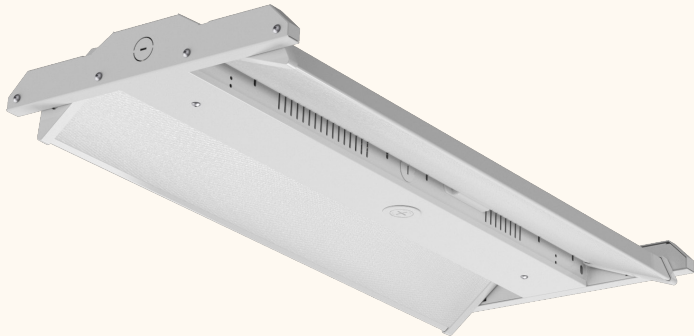




# CT-HBLASR

## ADJUSTABLE LINEAR HIGH BAY SENSOR READY LUMEN & KELVIN SELECTABLE

PROJECT	TYPE	CATALOG#



Model	Size (inches) & Weight (lbs)			
	L (in)	W (in)	H (in)	Weight
CT-HBLASR-15129L-4K5K	25.8	12.1	1.9	7.5
CT-HBLASR-241815L-4K5K	25.8	12.1	1.9	7.5
CT-HBLASR-302418L-4K5K	25.8	12.1	1.9	7.5

### OPTICAL

- Polycarbonate lens.
- Field Selectable 4000k (neutral white) and 5000k (cool white) color temperatures\*.
- Tri-Lumens selectable delivers 9,000 to 30,000 nominal lumens\*.
- Remote Control required to change factory sensor settings .
- Long-life LEDs provide 148,000 hours of operation with at least 70% of initial lumen output (L70), and 44,000 hours with at least 90% of initial lumen output (L90)\*\*.
- LED color maintenance < 0.0035 chromaticity shift ( $\Delta u'v'$ ) over the initial 6,000 hours of operation.
- Color rendering index > 80.

### HOUSING

- Premium powder-coat, die cast aluminum, white housing.

### CODE COMPLIANCE

- cULus listed for wet locations.
- Complies with FCC part 15, class A.

\* Default kelvin temperature 4000k and highest lumen output.  
\*\*L70 & L90 hours are IES TM-21-11 calculated hours.

### ORDERING INFORMATION

Example: CT-HBLASR-15129L-4K5K

SERIES	NOMINAL LUMEN OUTPUT (SELECTABLE)		KELVIN SELECTABLE	INPUT VOLTAGE	EMERGENCY DRIVER
CT-HBLASR	15129L	15,000/12,000/9,000 lm	4K5K 4000K/5000K	UNC* 347-480V Blank 120-277V	EM10 10W Emergency Driver
	241815L	24,000/18,000/15,000 lm			EM13 13W Emergency Driver
	302418L	30,000/24,000/18,000 lm			EM25 25W Emergency Driver Blank No Emergency Driver

\* UNC option no compatible with EM Driver.

### ELECTRICAL

- Operating temperature (ambient): -40°C to 50°C (-40°F to 122°F).
- Universal 120-277V AC voltage (50-60Hz) is standard.
- Optics rotate up to 135°.
- Screw in sensor ready. (Sensor and remote control sold separately).
- Emergency driver option available.
- 347-480 achieved with step-down transformer.
- 0-10VDC dimming drivers are standard.
- Input transient surge protection = 6kV.
- PF > 0.9; THD < 20%.

### MOUNTING

- Chain-mount kit (includes v-hooks , 1-meter long chain) are standard.
- Optional surface mounting kit provides attachment to solid surfaces\*.
- Optional pendant mounting kit provides pendant attachment to 1/2" rigid conduit.

\* Surface mount kit and Pendant mount kit are not compatible with the UNC StepDown Transformer option, nor the on-board, factory installed EM driver options.

### WARRANTY

- 5 year warranty on all electronics and housing.



# CT-HBLASR

## ADJUSTABLE LINEAR HIGH BAY SENSOR READY LUMEN & KELVIN SELECTABLE

### ACCESSORIES (ORDER SEPARATELY)

#### Sensor

- CT-HD07VR-PH-1 = Passive infrared sensor - maximum mounting height = 39FT.
- CT-HD07VR-MH-B-1 = Microwave step-dimming sensor - maximum mounting height = 49FT.
- CT-HD09VR-PH5-1\* = Passive infrared sensor - maximum mounting height = 39FT.
- CT-HD09VR-MH5-1\* = Microwave step-dimming sensor - maximum mounting height = 49FT.
- CT-HD05R = Remote control for CT-HD07VR-PH-1-90, CT-HD07VR-MH-B-1, HD09VR-PH5-1 & CT-HD09VR-MH5-1 (required to change factory settings)  
\*CT-HD09VR series has 5-dial setting capability.

Factory settings for Sensor : detection area =100%, hold time = 5 sec, stand-by period = 0 sec, stand-by dimming level = 10%, daylight threshold = disabled

#### Wire Guard

- CT-HBLASR-WG-24X4 = Wire guard for all CT-HBLASR models

#### Mounting Option

- CT-HBLASR-SMK = Surface mount kit for all CT-HBLASR models\*
- CT-HBLASR-PMK = Pendant mount kit for all CT-HBLASR models\*

\* SMK and PMK not compatible with UNC and EM drivers.

#### Remote Mount EM Drivers

- CT-EM10 = 10W Emergency Driver with conduit - CT-BLEM-CP-10C
- CT-EM13 = 13W Emergency Driver with conduit - CT-BLEM-CP-13C
- CT-EM25 = 25W Emergency Driver

### COMPATIBLE DIMMERS AND CONTROLS

MANUFACTURER	MODEL NUMBER	DIMMER RANGE	LOAD SWITCHING CAPACITY
Best Lighting	DWS-010V-T	10%-100%	600W
Best Lighting	DWS-010V-D	10%-100%	600W
Leviton	IP710-LFZ	10%-100%	1200W
Lutron	DVSTV	10%-100%	450W



# CT-HBLASR

## ADJUSTABLE LINEAR HIGH BAY SENSOR READY LUMEN & KELVIN SELECTABLE

### ELECTRICAL DATA

SERIES	MEASURE- MENTS	LOW LUMENS		MID LUMENS		HIGH LUMENS	
		4000K	5000K	4000K	5000K	4000K	5000K
CT-HBLASR-15129L- 4K5K	Lumens	9,935	9,886	12,681	12,531	15,819	15,495
	Watts	63.9	64.9	83.2	85	106.7	109.4
	Efficacy	155	152	152	147	148	142
	Input Current (A)	120V = 0.53	120V = 0.54	120V = 0.69	120V = 0.71	120V = 0.89	120V = 0.91
		240V = 0.27	240V = 0.27	240V = 0.35	240V = 0.35	240V = 0.44	240V = 0.46
277V = 0.23		277V = 0.23	277V = 0.30	277V = 0.31	277V = 0.39	277V = 0.39	

SERIES	MEASURE- MENTS	LOW LUMENS		MID LUMENS		HIGH LUMENS	
		4000K	5000K	4000K	5000K	4000K	5000K
CT-HBLASR-241815L- 4K5K	Lumens	15,038	15,043	17,959	17,769	23,645	23,141
	Watts	95.21	96.61	115.38	117.13	157.28	160.36
	Efficacy	158	156	156	152	150	144
	Input Current (A)	120V = 0.79	120V = 0.81	120V = 0.96	120V = 0.98	120V = 1.31	120V = 1.34
		240V = 0.40	240V = 0.40	240V = 0.48	240V = 0.49	240V = 0.66	240V = 0.67
277V = 0.34		277V = 0.35	277V = 0.42	277V = 0.42	277V = 0.57	277V = 0.58	

SERIES	MEASURE- MENTS	LOW LUMENS		MID LUMENS		HIGH LUMENS	
		4000K	5000K	4000K	5000K	4000K	5000K
CT-HBLASR-302418L- 4K5K	Lumens	19,469	19,158	25,457	24,825	31,090	30,160
	Watts	120.8	122.6	162.5	165.4	205.3	209.8
	Efficacy	161	156	157	150	151	144
	Input Current (A)	120V = 1.01	120V = 1.02	120V = 1.35	120V = 1.38	120V = 1.71	120V = 1.75
		240V = 0.50	240V = 0.51	240V = 0.68	240V = 0.69	240V = 0.86	240V = 0.87
277V = 0.44		277V = 0.44	277V = 0.59	277V = 0.60	277V = 0.74	277V = 0.76	



# CT-HBLASR

## ADJUSTABLE LINEAR HIGH BAY SENSOR READY LUMEN & KELVIN SELECTABLE

### PHOTOMETRICS

#### CT-HBLASR-15129L-4K5K

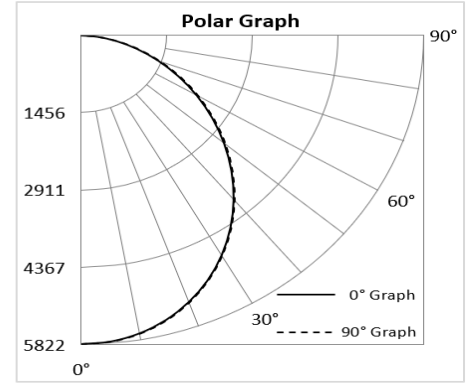
##### Luminaire Data

Description	Adjustable High Bay Lumen/Kelvin Selectable
Total Lumens	15,495
Input Wattage	109
Efficacy (lm/W)	142
Spacing Criterion (0-180°)	1.24
Spacing Criterion (90-270°)	1.24

Photometrics calculated at  
5000k - high lumens setting

##### Zonal Lumen Summary

Zone	Lumens	%Fixt
0-20°	2,114	13.6%
0-30°	4,449	28.7%
0-40°	7,199	46.5%
20-50°	7,851	50.7%
40-70°	6,974	45.0%
0-60°	12,380	79.9%
0-80°	15,208	98.2%
0-90°	15,495	100.0%
90-180°	0	0.0%
0-180°	15,495	100.0%



#### CT-HBLASR-241815L-4K5K

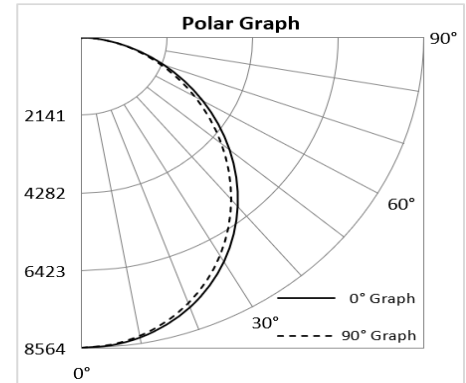
##### Luminaire Data

Description	Adjustable High Bay Lumen/Kelvin Selectable
Total Lumens	23,141
Input Wattage	160
Efficacy (lm/W)	144
Spacing Criterion (0-180°)	1.24
Spacing Criterion (90-270°)	1.22

Photometrics calculated at  
5000k - high lumens setting

##### Zonal Lumen Summary

Zone	Lumens	%Fixt
0-20°	3,112	13.4%
0-30°	6,559	28.3%
0-40°	10,633	45.9%
20-50°	11,637	50.3%
40-70°	10,444	45.1%
0-60°	18,367	79.4%
0-80°	22,662	97.9%
0-90°	23,111	99.9%
90-180°	30	0.1%
0-180°	23,141	100.0%



#### CT-HBLASR-302418L-4K5K

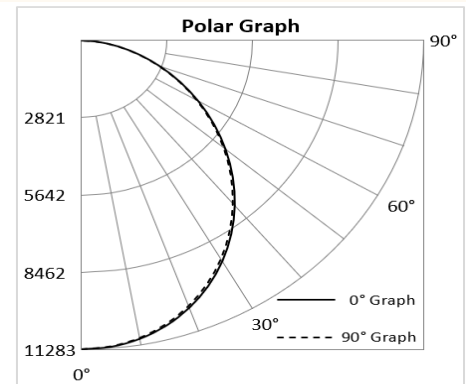
##### Luminaire Data

Description	Adjustable High Bay Lumen/Kelvin Selectable
Total Lumens	30,160
Input Wattage	210
Efficacy (lm/W)	144
Spacing Criterion (0-180°)	1.24
Spacing Criterion (90-270°)	1.22

Photometrics calculated at  
5000k - high lumens setting

##### Zonal Lumen Summary

Zone	Lumens	%Fixt
0-20°	4,097	13.6%
0-30°	8,625	28.6%
0-40°	13,965	46.3%
20-50°	15,249	50.6%
40-70°	13,595	45.1%
0-60°	24,055	79.8%
0-80°	29,583	98.1%
0-90°	30,160	100.0%
90-180°	0	0.0%
0-180°	30,160	100.0%





# CT-HBLASR

## ADJUSTABLE LINEAR HIGH BAY SENSOR READY LUMEN & KELVIN SELECTABLE

### PLUGS AND CORDS

When ordering a cord/cord & plug, use the following suffix choices.

Example: CT-HBLASR-15129L-4K5K-6P515

Note: Cords & plugs do not affect the ability to install sensors.

PART NUMBER SUFFIX	DESCRIPTION	FOR USE WITH
6C3	6' cord - 3 conductor (black/white/green)	Standard & UNC
6C4	6' cord - 4 conductor (black/white/green/red)	EM driver
6C5	6' cord - 5 conductor (black/white/green/purple/pink)	Dimming (standard & UNC)
6C6	6' cord - 6 conductor (black/white/green/red/purple/pink)	Dimming & EM driver
10C3	10' cord - 3 conductor (black/white/green)	Standard & UNC
10C4	10' cord - 4 conductor (black/white/green/red)	EM driver
10C5	10' cord - 5 conductor (black/white/green/purple/pink)	Dimming (standard & UNC)
10C6	10' cord - 6 conductor (black/white/green/red/purple/pink)	Dimming & EM driver
15C3	15' cord - 3 conductor (black/white/green)	Standard & UNC
15C4	15' cord - 4 conductor (black/white/green/red)	EM driver
15C5	15' cord - 5 conductor (black/white/green/purple/pink)	Dimming (standard & UNC)
15C6	15' cord - 6 conductor (black/white/green/red/purple/pink)	Dimming & EM driver
6W3	6' whip - 3 conductor (black/white/green)	Standard & UNC
6W4	6' whip - 4 conductor (black/white/green/red)	EM driver
6W5	6' whip - 5 conductor (black/white/green/purple/pink)	Dimming (standard & UNC)
6W6	6' whip - 6 conductor (black/white/green/red/purple/pink)	Dimming & EM driver
6P515	6' cord - 3 conductor (black/white/green) - NEMA 5-15 plug (120V/15A)	Standard luminaire
6P615	6' cord - 3 conductor (black/white/green) - NEMA 6-15 plug (240V/15A)	Standard luminaire
6P715	6' cord - 3 conductor (black/white/green) - NEMA 7-15 plug (277V/15A)	Standard luminaire
6P520	6' cord - 3 conductor (black/white/green) - NEMA 5-20 plug (120V/20A)	Standard luminaire
6P620	6' cord - 3 conductor (black/white/green) - NEMA 6-20 plug (277V/20A)	Standard luminaire
6P515L	6' cord - 3 conductor (black/white/green) - NEMA L5-15 plug (120V/15A locking)	Standard luminaire
6P615L	6' cord - 3 conductor (black/white/green) - NEMA L6-15 plug (240V/15A locking)	Standard luminaire
6P715L	6' cord - 3 conductor (black/white/green) - NEMA L7-15 plug (277V/15A locking)	Standard luminaire
6P520L	6' cord - 3 conductor (black/white/green) - NEMA L5-20 plug (120V/20A locking)	Standard luminaire
6P620L	6' cord - 3 conductor (black/white/green) - NEMA L6-20 plug (240V/20A locking)	Standard luminaire
6P720L	6' cord - 3 conductor (black/white/green) - NEMA L7-20 plug (277V/20A locking)	Standard luminaire
6P2420L	6' cord - 3 conductor (black/white/green) - NEMA L24-20 plug (347V/20A locking)	UNC luminaire
6P820L	6' cord - 3 conductor (black/white/green) - NEMA L8-20 plug (480V/20A locking)	UNC luminaire
10P515	10' cord - 3 conductor (black/white/green) - NEMA 5-15 plug (120V/15A)	Standard luminaire
10P615	10' cord - 3 conductor (black/white/green) - NEMA 6-15 plug (240V/15A)	Standard luminaire
10P715	10' cord - 3 conductor (black/white/green) - NEMA 7-15 plug (277V/15A)	Standard luminaire
10P520	10' cord - 3 conductor (black/white/green) - NEMA 5-20 plug (120V/20A)	Standard luminaire



# CT-HBLASR

## ADJUSTABLE LINEAR HIGH BAY SENSOR READY LUMEN & KELVIN SELECTABLE

PART NUMBER SUFFIX	DESCRIPTION	FOR USE WITH
10P620	10' cord - 3 conductor (black/white/green) - NEMA 6-20 plug (277V/20A)	Standard luminaire
10P515L	10' cord - 3 conductor (black/white/green) - NEMA L5-15 plug (120V/15A locking)	Standard luminaire
10P615L	10' cord - 3 conductor (black/white/green) - NEMA L6-15 plug (240V/15A locking)	Standard luminaire
10P715L	10' cord - 3 conductor (black/white/green) - NEMA L7-15 plug (277V/15A locking)	Standard luminaire
10P520L	10' cord - 3 conductor (black/white/green) - NEMA L5-20 plug (120V/20A locking)	Standard luminaire
10P620L	10' cord - 3 conductor (black/white/green) - NEMA L6-20 plug (240V/20A locking)	Standard luminaire
10P720L	10' cord - 3 conductor (black/white/green) - NEMA L7-20 plug (277V/20A locking)	Standard luminaire
10P2420L	10' cord - 3 conductor (black/white/green) - NEMA L24-20 plug (347V/20A locking)	UNC luminaire
10P820L	10' cord - 3 conductor (black/white/green) - NEMA L8-20 plug (480V/20A locking)	UNC luminaire
15P515	15' cord - 3 conductor (black/white/green) - NEMA 5-15 plug (120V/15A)	Standard luminaire
15P615	15' cord - 3 conductor (black/white/green) - NEMA 6-15 plug (240V/15A)	Standard luminaire
15P715	15' cord - 3 conductor (black/white/green) - NEMA 7-15 plug (277V/15A)	Standard luminaire
15P520	15' cord - 3 conductor (black/white/green) - NEMA 5-20 plug (120V/20A)	Standard luminaire
15P620	15' cord - 3 conductor (black/white/green) - NEMA 6-20 plug (277V/20A)	Standard luminaire
15P515L	15' cord - 3 conductor (black/white/green) - NEMA L5-15 plug (120V/15A locking)	Standard luminaire
15P615L	15' cord - 3 conductor (black/white/green) - NEMA L6-15 plug (240V/15A locking)	Standard luminaire
15P715L	15' cord - 3 conductor (black/white/green) - NEMA L7-15 plug (277V/15A locking)	Standard luminaire
15P520L	15' cord - 3 conductor (black/white/green) - NEMA L5-20 plug (120V/20A locking)	Standard luminaire
15P620L	15' cord - 3 conductor (black/white/green) - NEMA L6-20 plug (240V/20A locking)	Standard luminaire
15P720L	15' cord - 3 conductor (black/white/green) - NEMA L7-20 plug (277V/20A locking)	Standard luminaire
15P2420L	15' cord - 3 conductor (black/white/green) - NEMA L24-20 plug (347V/20A locking)	UNC luminaire
15P820L	15' cord - 3 conductor (black/white/green) - NEMA L8-20 plug (480V/20A locking)	UNC luminaire



# CT-HBLASR

## ADJUSTABLE LINEAR HIGH BAY SENSOR READY LUMEN & KELVIN SELECTABLE

PART NUMBER SUFFIX	DESCRIPTION	FOR USE WITH
15P520	15' cord - 3 conductor (black/white/green) - NEMA 5-20 plug (120V/20A)	Standard luminaire
15P620	15' cord - 3 conductor (black/white/green) - NEMA 6-20 plug (277V/20A)	Standard luminaire
15P515L	15' cord - 3 conductor (black/white/green) - NEMA L5-15 plug (120V/15A locking)	Standard luminaire
15P615L	15' cord - 3 conductor (black/white/green) - NEMA L6-15 plug (240V/15A locking)	Standard luminaire
15P715L	15' cord - 3 conductor (black/white/green) - NEMA L7-15 plug (277V/15A locking)	Standard luminaire
15P520L	15' cord - 3 conductor (black/white/green) - NEMA L5-20 plug (120V/20A locking)	Standard luminaire
15P620L	15' cord - 3 conductor (black/white/green) - NEMA L6-20 plug (240V/20A locking)	Standard luminaire
15P720L	15' cord - 3 conductor (black/white/green) - NEMA L7-20 plug (277V/20A locking)	Standard luminaire
15P2420L	15' cord - 3 conductor (black/white/green) - NEMA L24-20 plug (347V/20A locking)	UNC luminaire
15P820L	15' cord - 3 conductor (black/white/green) - NEMA L8-20 plug (480V/20A locking)	UNC luminaire